



CANELLI

YACHTS





CANELLI
SEE MORE
DO MORE



THE SEA BEST FRIEND



YES YOU CAN HAVE

YOU love a driving experience that matches the engine performance and brand exclusivity. The unique feeling of freedom. The intense connection with water. The unforgettable experience for you, your family and friends. A sign of quality not compromise. Rediscover this statement of your lifestyle as an extension of yourself.

Introducing CANELLI 30 a sport boat that transcends boundaries by flawlessly merging the comfort with the size and swiftness.

Prepare to amaze everyone on board with its bold design, impressive customization and unprecedented level of comfort for a boat of its size.



CANELLI

30

MERCURY

BOW LOUNGE

The forward main deck holds a large and comfortable settee that can be converted into a sunbed, making it the ideal spot for luxurious and pure, restful relaxation.

Here, its all about soaking up the sun and taking in the magnificent view.







COMMAND CENTER

The helm on the CANELLI 30 is completely focused on functionality while still maintaining the level of luxury. The fiberglass helm station contains the latest Mercury and Simrad electronics. The wide pilot seat in suede fabrics give the users a high degree of stability, even while experiencing crazy boat-manoevres.

As always, with attention to details as integrated footrest, glove box with USB charger, cup holders, sport steering wheel in suede fabrics provide excellent grip what enhancing the piloting experience.



GALLEY

The spacious, open air galley on the CANELLI 30 is perfect for a quick snack or aperitif of the day. Amenities includes a high-quality acrylic resin worktop, integrated sink with hot and cold water faucet, a twin cooking hob, integrated cupholders, a fridge of 85 liters (optional 130 litre).



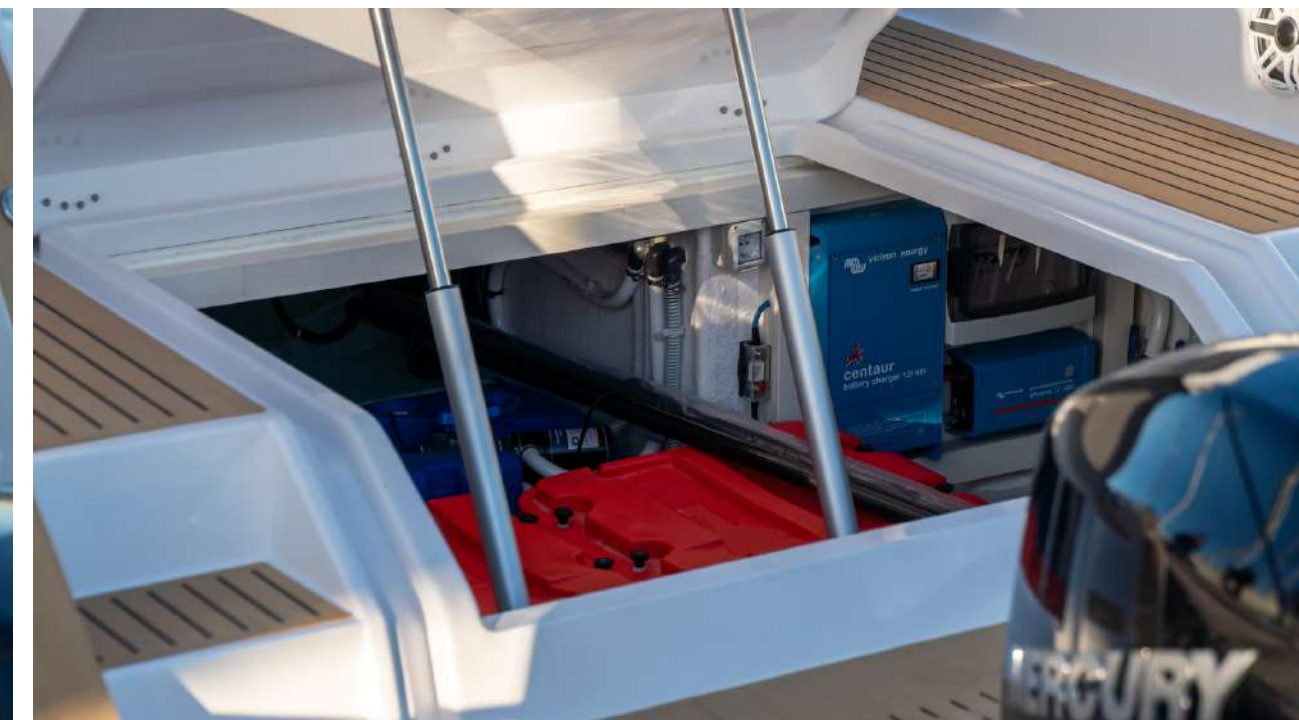


CANELLI YACHTS attention to detail and magnificent use of space are unmistakable throughout the 30 feet, and this is particularly evident in the aft composition. With the push on a button, this lazarette hatch can lift up and it becomes clear that this is the ideal space for all optional instruments thanks to the accessibility.

This aft composition can either be a dining table with comfortable seats on both sides, latitudinal or longitudinal, convert into a large sun-bed, or a fixed comfortable sun-bed with a hand to open extra large storage space, easily accessible and completely, or a cockpit flush lazarette hatch.

Speak with us, and we'll ensure the boat is transformed to your own personal desires.

F O R M A X I M U M E N J O Y M E N T







UNEXPECTED SPACIOUS INTERIOR

The interior of the CANELLI 30 feature plan in suede fabrics, offering a comfortable bow cabin double bed and an aft cabin with choice of single or double bed, that matches the comfort and elegant contemporary finish. The unique material combines aesthetics and technology with zero compromises, only absolute comfort.

An intelligent solution to spend the night on and live great weekends at sea with the best company.





DETAILS MAKE THE DIFFERENCE

A private bathroom with a generous two metre of standing headroom, XL-loo, chrome-finished faucet, hand-shower, ample storage place, backlit mirror and a vanity with an Ambassador sink.

Full size mirror on door what's provide a level of luxury you simply won't find on any other boat of this size.





T - T O P C H O I C E

Let's face it, we all love our boats. Who doesn't want to improve their boat and make it look better?

Somewhere in between too much as not enough sun, there exist a simple thought of protection from a T-Top. At Canelli Yachts, we understand how vital this perfect sun protection is to you, to stay out all day on the water.

The luxurious character of Canelli Yachts and our 'keep things simple' way of thinking inspires us to offer a protective T-Top roof mounted to a sturdy & permanent - brushed or mirror polished or powder coated black or white - SST frame.

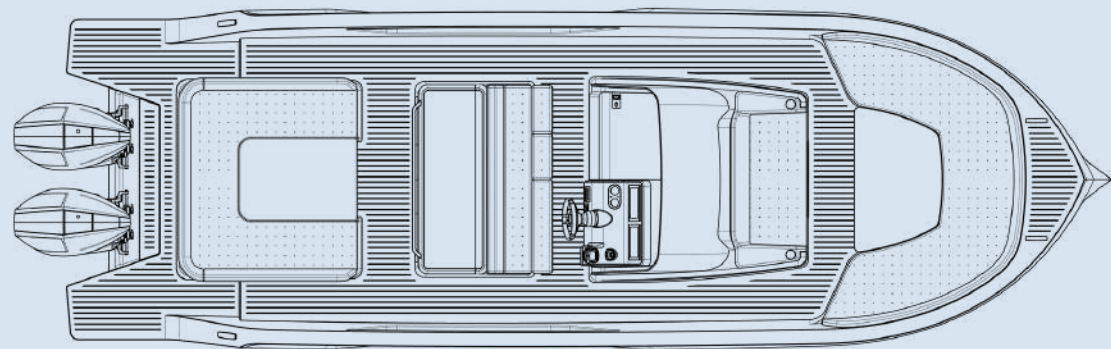


Possible
back & front
batches extensions

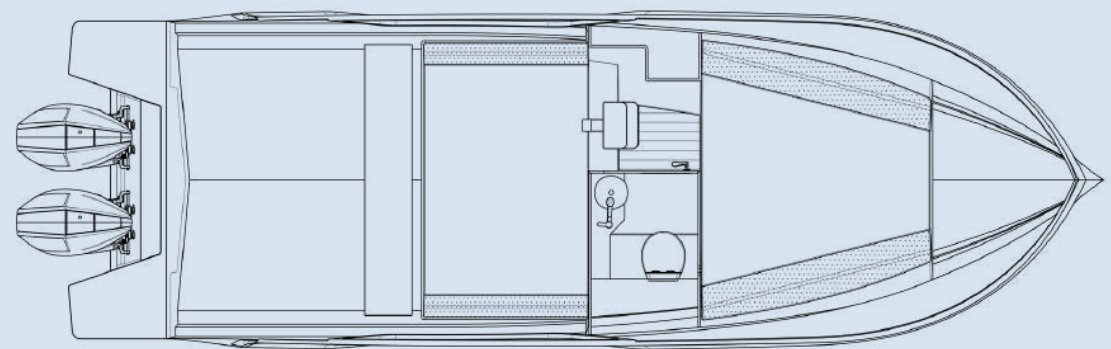


CANELLI 30

LAYOUTS



MAIN DECK



LOWER DECK

Weight is key for a comfortable high performance boat, so we decide to build for the CANELLI 30 from the hull to small parts in infusion of vinyl-ester resin, as light as it possible together with the twin step hull to reduce water resistance and fuel consumption, in favour of stability, speed and enhancement.

The flamboyant walk-around with large passages increase the well being of you and your family what's the most important for us.

This little one will bring you a breath-taking driving experience that leaves you seedless!

CANELLI 30

TECHNICAL SPECIFICATIONS

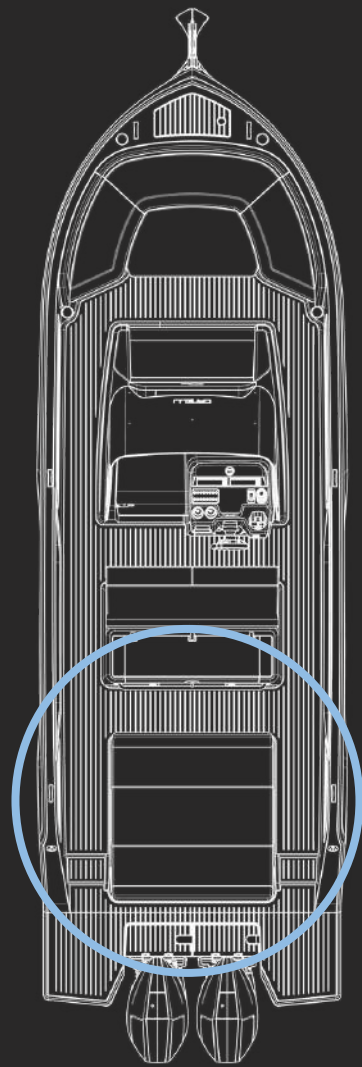


Length (L.O.A.)	9,76 m ca. / 32,02 ft in approx.
Length hull (L.W.L.)	8,96 m ca. / 29,40 ft in approx.
Beam	2,90 m ca. / 9,51 ft in approx.
Deadrise	23°
Draft .without engine	0,65 m ca. / 2,13 ft in approx.
Dry weight without engine	3.200 kg ca. / 7.054,79 lbs approx.
Passengers - Cat.B	8
Passengers - Cat.C	10
Fuel tank (standard)	600 lt ca. / 158,50 US gals approx.
Fresh water tank	140 lt ca. / 36,98 US gals approx.
Black Water tank	40 lt ca / 10,57 US gals approx.
Design categorie	B / C
Project	Guy Papillon
Design.....	Carlos Vidal
Naval architect	Sasha Vlad

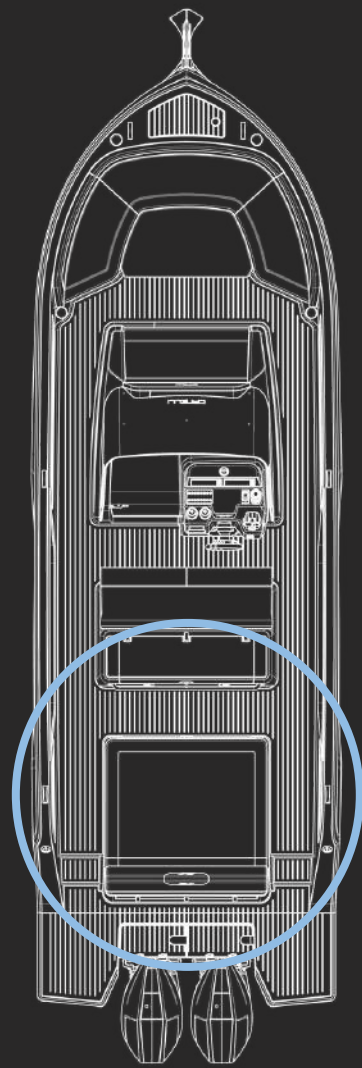
All other engines, brands are on request.



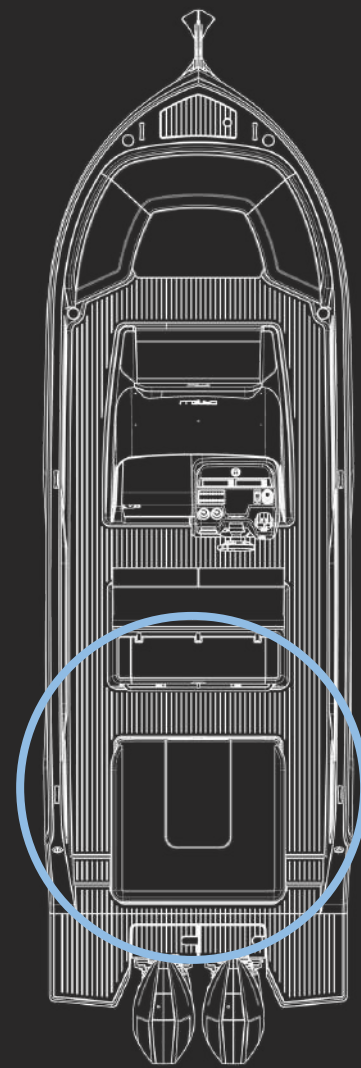
ALTERNATIVES FOR AFT-DECK



Large dining
table with two
comfortable
sofas in
longitudinal.



Fixed soft
sun-bed with
movable
longitudinal
sit-rail.



Dining table
with
comfortable
U-sofa,
convertible
into a large
sun-bed.

The obsession of Canelli Yachts, to make each moment exceptional for you and your family, enables you to customise your boat with an aft layout to suit you and your family needs.

Three choices of standard aft deck designed with a deep understanding of consumer needs and an anticipation of their desires. It's all in the pursuit of creating an experience that's perfectly, distinctively your lifestyle without any compromise.

A fixed sun-bed or an expansive social area with a table, your choice, means hosting friends and family has never been more comfortable.

CORE VALUES

Family

Trust

Quality

Craftmanship

Innovation

Creativity

Security

Flexibility

CANELLI YACHTS is a young, Italian yachting company based on the considerable experience and mastery of Guy Papillon, a Belgian entrepreneur with a steely determination, a strong work ethic and an iron will to keep things simple, avoidance of 'over-engineered' solutions and unnecessary complexity without luxe renounce. The Canelli Yachts facilities are located in the Marche region, a reference model over the decades in the nautical sector and its supply chain, with highly specialised craftsmen.

It's a story about a combination of courage and enthusiasm.



HERITAGE



Guy's beloved father
1940 - † 1985

Passion fuels inspiration. At a young age in Belgium, Guy Papillon found a natural connection to the boating world through his father, Marc. The founder of Polymac Marine in 1961, Marc was an innovator in composite shipbuilding and a successful importer of several well-known boat brands. Marc's early sudden death changed everything, but by that time the family bond with the water was permanent.

A B E L G I A N - I T A L I A N S T O R Y



Guy Papillon developed a rich knowledge of the yacht business through his own experience as a successful entrepreneur. With specialized training on mechanical and technical details, he has worked closely with several famous boat manufacturers and frequently uses and evaluates models ranging from 20 to 80 feet. As the typical Belgian perfectionist and now sole owner of the company, his admiration for the Italian lifestyle and their luxurious design was the reason and opportunity for him to combine these two worlds in CANELLI YACHTS, characterized by quality and an eye for detail.

AN EXTENSION OF YOURSELF





CANELLI YACHTS S.R.L.
9, VIA DEL POGGIO LAURENTINO
00144 ROME - ITALY
+39 328 2387032



This document is not a contractual offer, it has an informative and promotional purpose. Canelli Yachts s.r.l. reserves the right to modify any product, specification or description contained in this catalogue at any time without notice. Therefore no compensation, claim, or litigation can be raised against Canelli Yachts s.r.l. 2022. All rights reserved.